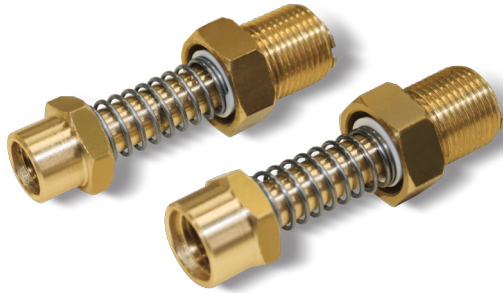
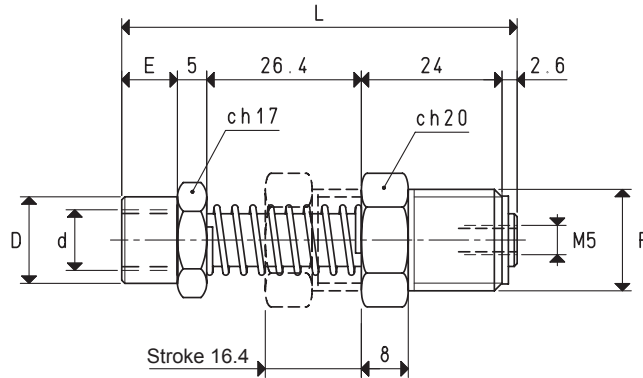


MINI CUP HOLDERS WITH BUILT-IN BUSH, WITH FEMALE THREADED CONNECTOR

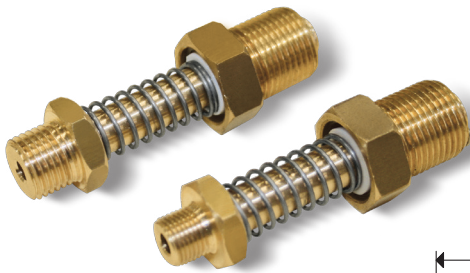


VERSION 20 . . 11

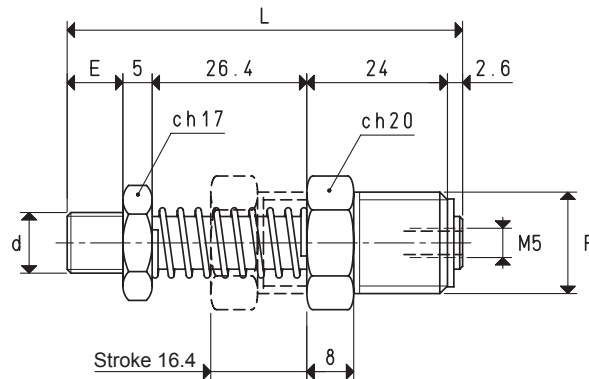


Art.	d Ø	D Ø	E	F Ø	L	Weight g
20 08 11	G1/8"	14.0	9	G3/8"	67	74
20 10 11	G1/4"	16.5	9	G3/8"	67	73

MINI CUP HOLDERS WITH BUILT-IN BUSH, WITH MALE THREADED CONNECTOR



VERSION 20 . . 11 M



Art.	d Ø	E	F Ø	L	Weight g
20 08 11 M	G1/8"	8	G3/8"	66	75
20 10 11 M	G1/4"	10	G3/8"	68	74

3D drawings available at www.vuototecnica.net

Conversion ratio: inch = $\frac{\text{mm}}{25.4}$; pounds = $\frac{\text{g}}{453.6}$ = $\frac{\text{Kg}}{0.4536}$

GAS-NPT thread adapters available at page 1.117

2.23