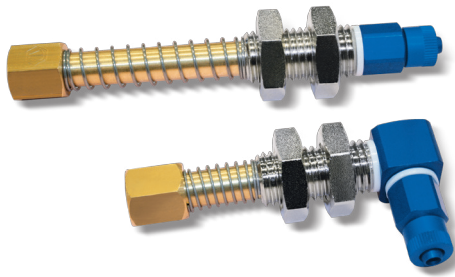
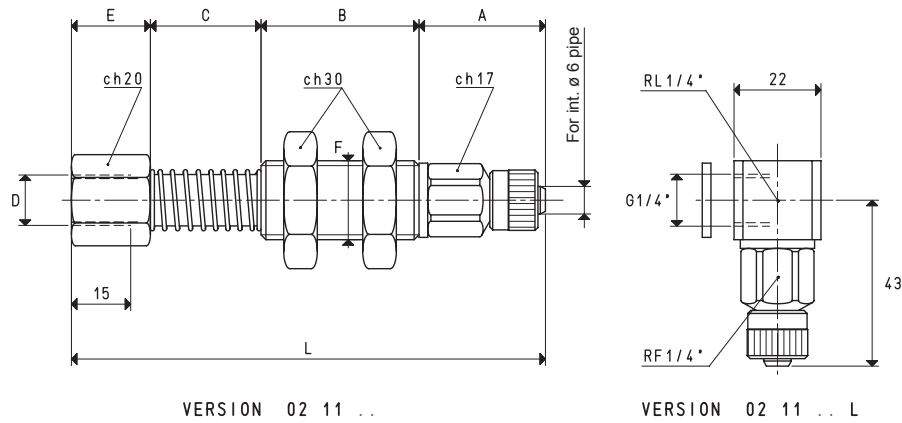


BASIC CUP HOLDERS WITH THREADED MALE AND FEMALE CONNECTORS

- The actual springing stroke is:
- For height C= 28 mm 16 mm
 - For height C= 65 mm 49 mm
 - For height C= 95 mm 74 mm



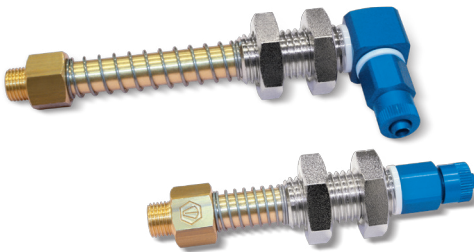
Basic cup holders with threaded female connectors



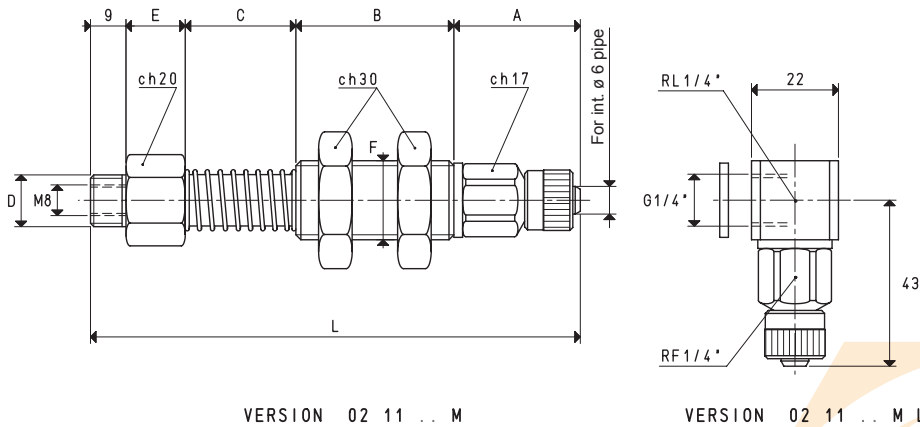
CUP HOLDERS WITH STRAIGHT QUICK COUPLER FOR PLASTIC HOSE Ø 6 X 8

Art.	A	B	C	D	E	F	L	Weight
				Ø		Ø		g
02 11 28	32	40	28	M12	20	M20	120	226
02 11 65	32	40	65	M12	20	M20	157	264
02 11 95	32	40	95	M12	20	M20	187	291

Note: Add the letter L to the code to order L-type fittings.



Basic cup holders with threaded male connectors



CUP HOLDERS WITH STRAIGHT QUICK COUPLER FOR PLASTIC HOSE Ø 6 X 8

Art.	A	B	C	D	E	F	L	Weight
				Ø		Ø		g
02 11 28 M	32	40	28	M12	15	M20	124	223
02 11 65 M	32	40	65	M12	15	M20	161	264
02 11 95 M	32	40	95	M12	15	M20	191	293

Note: Add the letter L to the code to order L-type fittings.

Conversion ratio: inch = $\frac{mm}{25.4}$; pounds = $\frac{g}{453.6}$ = $\frac{Kg}{0.4536}$

3D drawings available at www.vuototecnica.net